

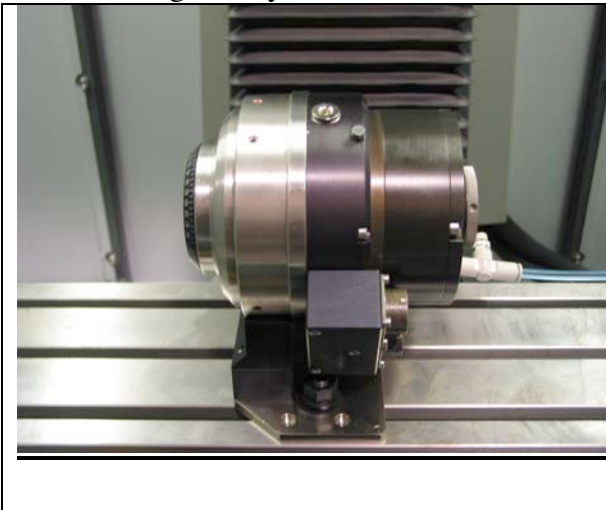
Direct Drive Rotary (DDR-01B/C)

The DDR-01B/C is our new HIGH PERFORMANCE Direct Drive Rotary specially designed for laser welding and cutting applications.

The 0 backlash drive system provides high accuracy and torque without the need of mechanical speed reducers (worm gear or belt drive).

Key Benefits:

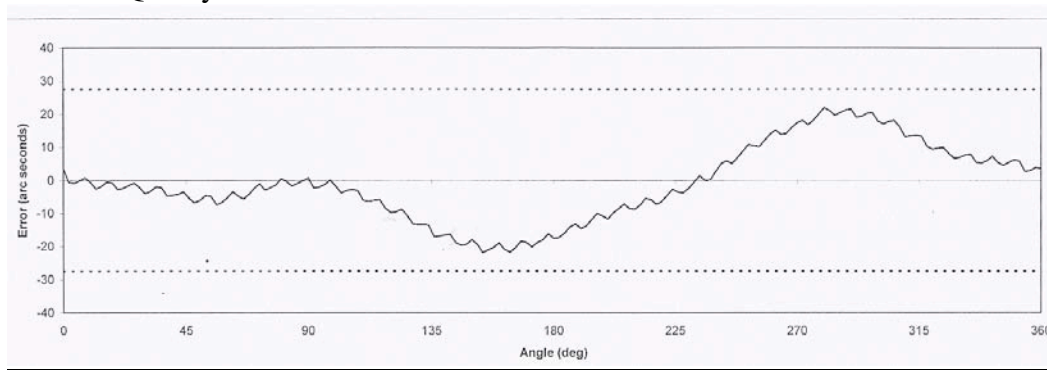
- Rapid bi-directional indexing
- Smooth motion
- Long life, maintenance free operation
- Built in 5C collet system with pneumatic opener
- 30.5mm (1.2") through hole allows the use of most 5C accessories
- Built in pneumatic collet opener with a adjustable cylinder stroke
- Sinusoidal or trapezoidal commutation
- Stainless steel body with anodized aluminum covers
- Small footprint
- "Plug & Play" Installation on all Prolas systems



Key Benefits:

- Rapid bi-directional indexing
- Low friction design for constant precision motion
- Long life, maintenance free operation
- Built in normally closed 5C collet system with pneumatic opener
- Optional 3" 3-jaw chuck
- 30.5mm through hole
- Stainless steel body with anodized aluminum covers
- Small footprint

Encoder Quality Protocol

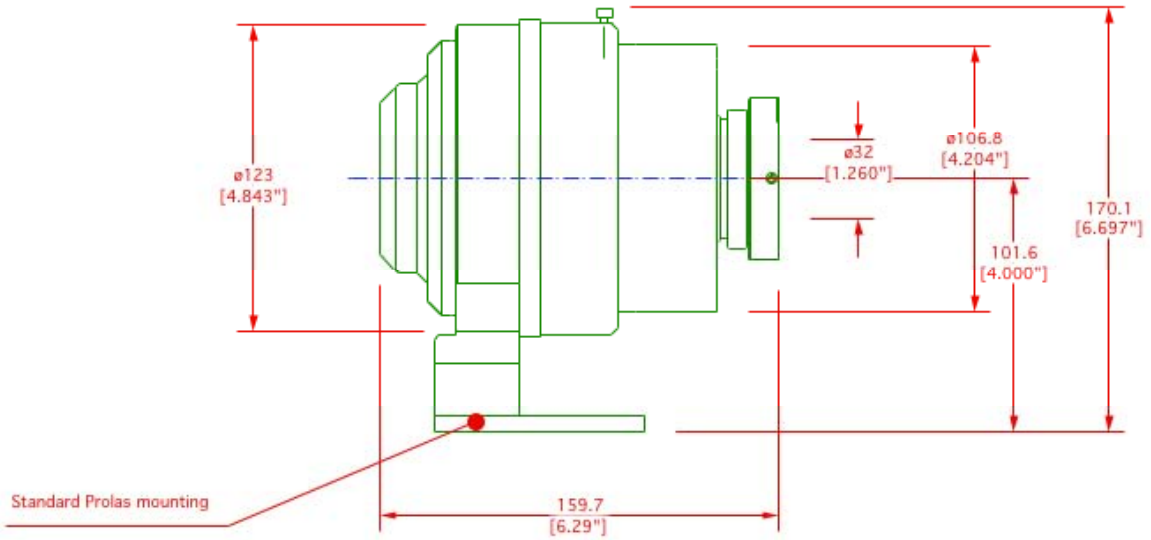


DDR-01B Specifications

	MPS-36A/38	Prolas 2000A/3000/4000	Prolas 2010
DDR-01B/C Ready	X	X	X
Max Speed (rpm)	200	200	1000
Cycle Time for 90° rotation [typical]	<= 0.3 sec		
Resolution	5.5 arc sec (0.0015°)		
Index Accuracy (standard)	+/- 30 arc sec (0.0083°)		
Backlash	0		
Repeatability *	10 arc sec		
Spindle Run out	0.012mm (0.0005")		
Drive system	Direct Drive Brushless Servomotor		
# of Poles	14		
Motor Voltage	48VDC	48VDC	170VDC
Peak Torque **	3.7Nm	3.7Nm	2.2Nm
Max Continues Torque **	1.2Nm	1.2Nm	0.747Nm
Collet size		5C	
Collet (5C) capacity	max 25.4mm (1")		
Collet clamping	Spring Loaded		
Collet opener	Pneumatic Cylinder (5 bar/ 72psi)		
Through Hole ø	30.5mm (1.2")		
Spindle Center	80mm (3.15")	101.6mm (4")	101.6mm (4")
Length	160mm (6.3")		
Outside Diameter	130mm (5.1")		
Weight	6.1 Kg (13.5 lbs)		
	MPS-36A/38	Prolas 2000A/3000/4000	Prolas 2010

- * Typical repeatability
- ** Based on Amplifier ratings

Direct Drive Rotary (DDR-01B/C)



Specifications are subject to change without notice

REV B CONNECTORS

REV C CONNECTORS

