

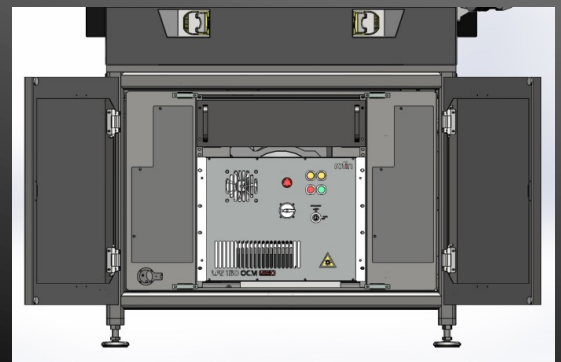
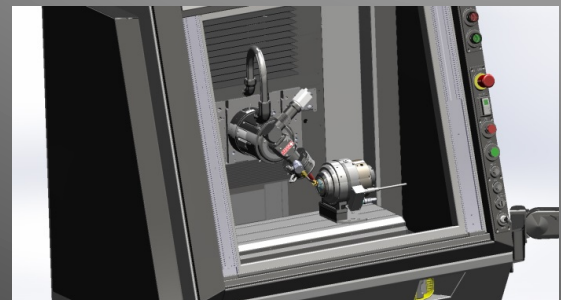
Kohler Design LS 5000

Key Features

- Class 1 enclosure
- Standard XYZ lead screw Stages
- 12.5" X travel, 9" Y travel
- Vertical automatic door(Standard)
- F.O. and H.O. capability
- NLS and RCU based lasers
- Dedicated Pneumatics Box
- 4" Roof Mounted Fume Port
- KDC-210 Controller
- KDM CNC Software (G Code Based)
- CanOpen Motion 6 Axis Interpolation
- Single Rack Space (12u) for PC and OEM Laser integration

Options

- No Enclosure (Class 4)
- Linear Stages on X/Y Axis
- Horizontal manual door
- DDR-01C / WGR / or Haas rotary
- 5th Axis Rotary Head F.O. & H.O.
- KLS - HO setup (NLS Laser)
- OEM Fiber laser Integration
- Optional Fiber cable routing thru the Z axis
- Gas Flow Meter with PNP Output
- 2" Point of Use Fume Port Kit (new)
- Larger safety glass window (new)
- Custom Tooling
- KDM Vision Integration (Cognex)
- KDM Production Environment
- KDM Custom GUI



For more information please contact:
info@kohlerdesign.com

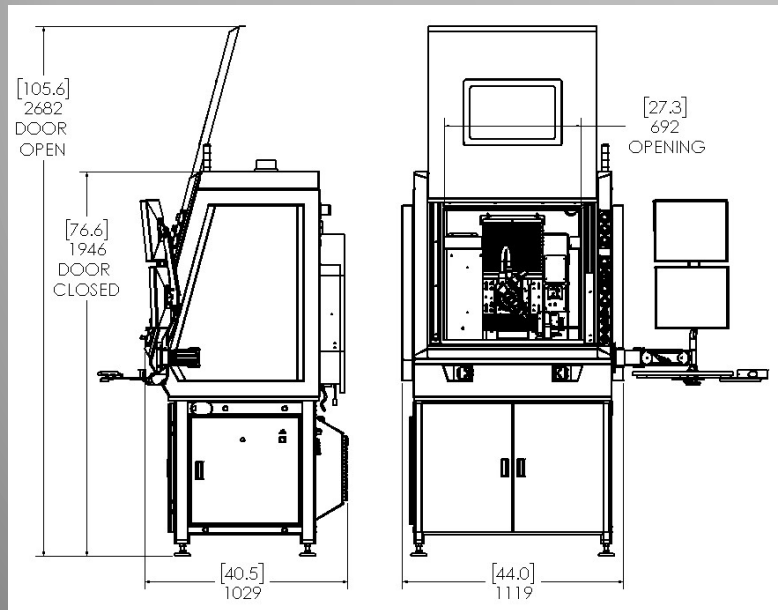
 **KOHLER**
Design Corporation

General Features

- Compact
- Versatile
- User-Friendly
- Economical
- Robust
- Highly Accurate Motion Control
- Field Proven & Reliable
- Ideal for R&D & Production Environments
- Vibration-dampening polymer composite machine base.
- 5C Collet direct drive or worm gear drive rotary
- Custom tailstocks and tooling
- Ball Screw driven XYZ axis (Welding Applications)
- Upgrade to linear motor XY (Cutting Applications)

Markets Served:

- Medical Device Manufacturing
- Automotive
- Aerospace
- Electronics
- Computer Technology
- Alternative Energy
- Scientific Research
- Telecommunications



Automatic Door:

- Pneumatic activated automatic door
- Wide door allows easy access to the work area
- 2 Integrated safety buttons

Ball screw XY motion system:

- Closed-loop, DC servo drive system with optical rotary encoder (XYZ)
- Preloaded Ball Screw drive (XYZ) - Zero Backlash
- Preloaded Linear Ball Bearings (XYZ)
- X-axis 12.5" useable travel, Y-axis 9" useable travel, Z-axis 9.3" useable travel.
- Work table (X-Axis) size 28" x 7.2" with hold down provision, two 8mm T-slots.
- Table Load Capacity 100lbs. (45kg) : Higher payloads possible, consult Kohler Design
- Feed rate XYZ = 0.1 - 250 ipm [6350 mm/min]
- Repeatability (XYZ) ≤ 0.0002 " [0.005mm]
- Resolution (XYZ) 0.00002" [0.000625mm] (standard = optical encoders)
- Accuracy (XYZ) 0.001"/ft [0.025mm / 300mm]

Linear motor XY motion system:

- Closed-loop, DC servo drive system:
 - Linear motors (XY), brushless servo motor (Z)
 - 0.1 μ m optical linear encoders (XY), optical rotary encoder (Z)
- X-axis 12.5" useable travel, Y-axis 9" useable travel, Z-axis 9.3" useable travel.
- Work table (X-Axis) size 28" x 7.2" with hold down provision, two 8mm T-slots.
- Table Load Capacity 50 lbs. (25kg) : Higher payloads possible, consult Kohler Design
- Feed rate X/Y = 0.1 - 500 ipm [12700 mm/min]
- Feed rate Z = 0.1 - 250 ipm [6350 mm/min]
- Repeatability (XYZ) ≤ 0.0002 " [0.005mm]
- Resolution (X/Y) 0.000004" [0.0001mm] (standard = 0.1 μ m optical linear encoder)
- Resolution (Z) 0.00002" [0.000625mm] (standard = optical encoders)
- Accuracy (Z) 0.001"/ft [0.025mm / 300mm]
- Accuracy (X/Y) 0.00004"/inch [$\pm 40\mu$ m/m]
- Zero backlash ball screws on the Z axes.